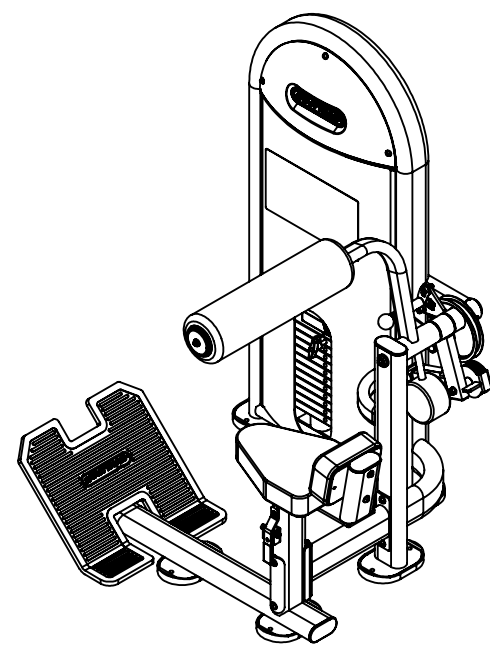
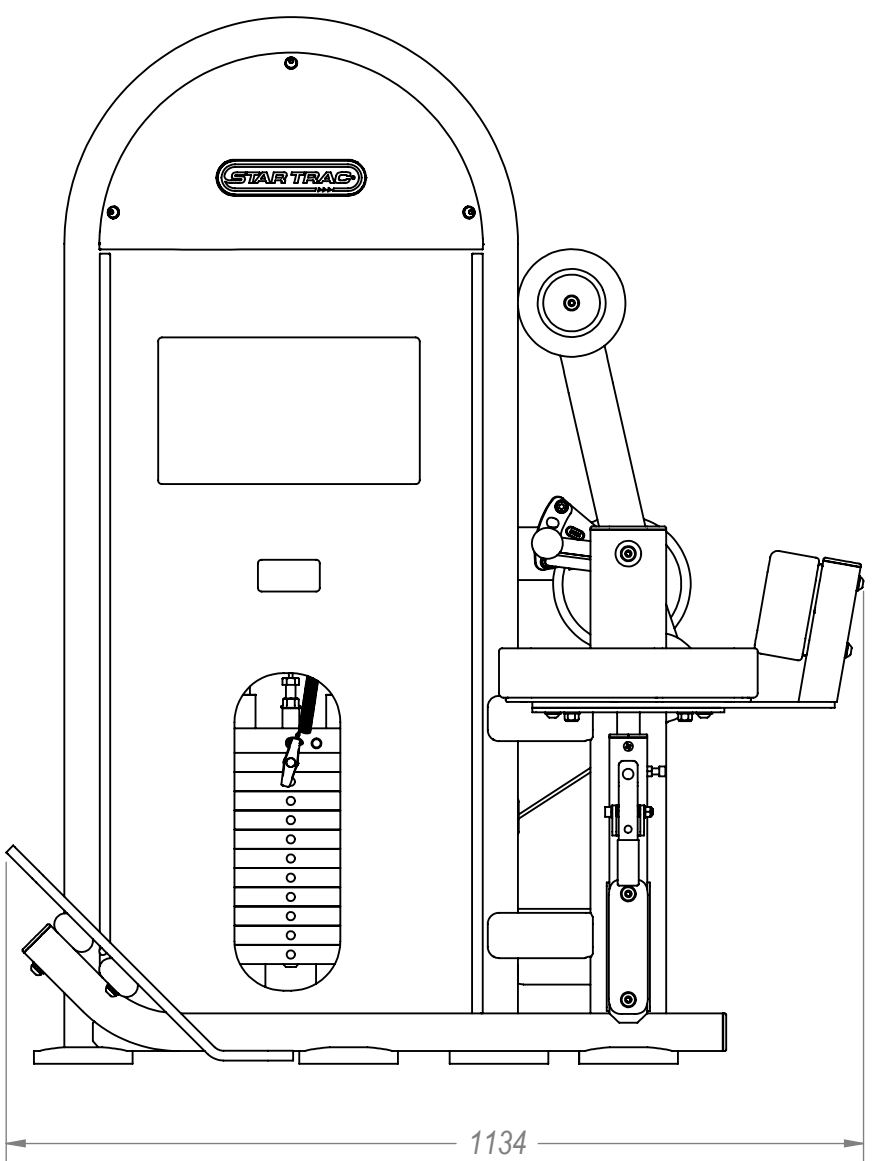
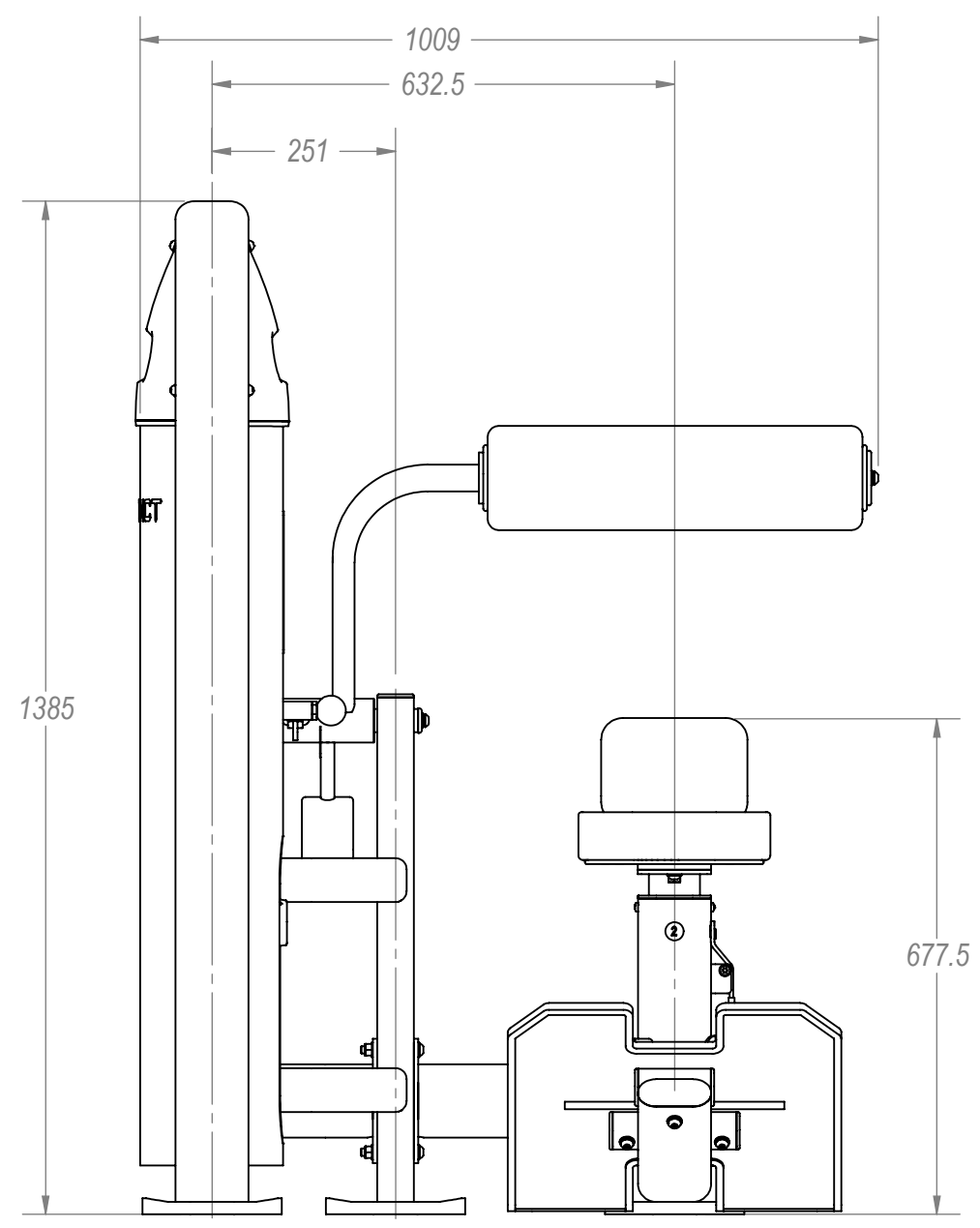


REVISION HISTORY				
REV	DATE	DESCRIPTION	ECO	BY
A	11-7-06	PRODUCTION RELEASE	11508	SMS
B	6-27-07	UPDATE 3D MODEL & P/N	11657	AK
C	08-30-07	UPDATE EXPLODED VIEW, UPDATE BOM IS: 730-1103 WAS: 730-1104	11708	AK
D	06-23-10	BELT CHANGE WITH CABLE, UPDATE 3D MODEL	13343	TZ



NOTICE OF PROPRIETARY INFORMATION
 THIS DOCUMENT SHALL NOT BE REPRODUCED NOR SHALL THE INFORMATION CONTAINED HEREIN BE USED BY OR DISCLOSED TO OTHER EXCEPT AS EXPRESSLY AUTHORIZED BY UNISEN INC, D.B.A. STAR TRAC.

DOCUMENT STATUS:

CLASS OF WORK	UNLESS OTHERWISE SPECIFIED DIMS ARE IN mm. TOLERANCES FOR MEASURE OF LENGTH ARE:							ANGLES = ±2°
	0.5 to 3	> 3 to 6	> 6 to 30	> 30 to 120	> 120 to 400	> 400 to 1000	> 1000 to 2000	
FINE	±0.05	±0.05	±0.1	±0.15	±0.2	±0.3	±0.5	----
MEDIUM X	±0.1	±0.1	±0.2	±0.3	±0.5	±0.8	±1.2	±2
COARSE	±0.2	±0.3	±0.5	±0.8	±1.2	±2	±3	±4
VERY COARSE	----	±0.5	±1	±1.5	±2.5	±4	±6	±8

MATERIAL
SEE BOM

FINISH
FRAME COLOR: STAR TRAC SILVER (HP FULLER) UPHOLSTERY COLOR: STAR TRAC GREY (SLATE)

VENDOR: **IMPULSE** P/N: **IN-D6330C**

THIRD ANGLE PROJECTION		
DRAWN	INITIAL	DATE
CHECKED		
APPROVED		
	U.O.M.	MM

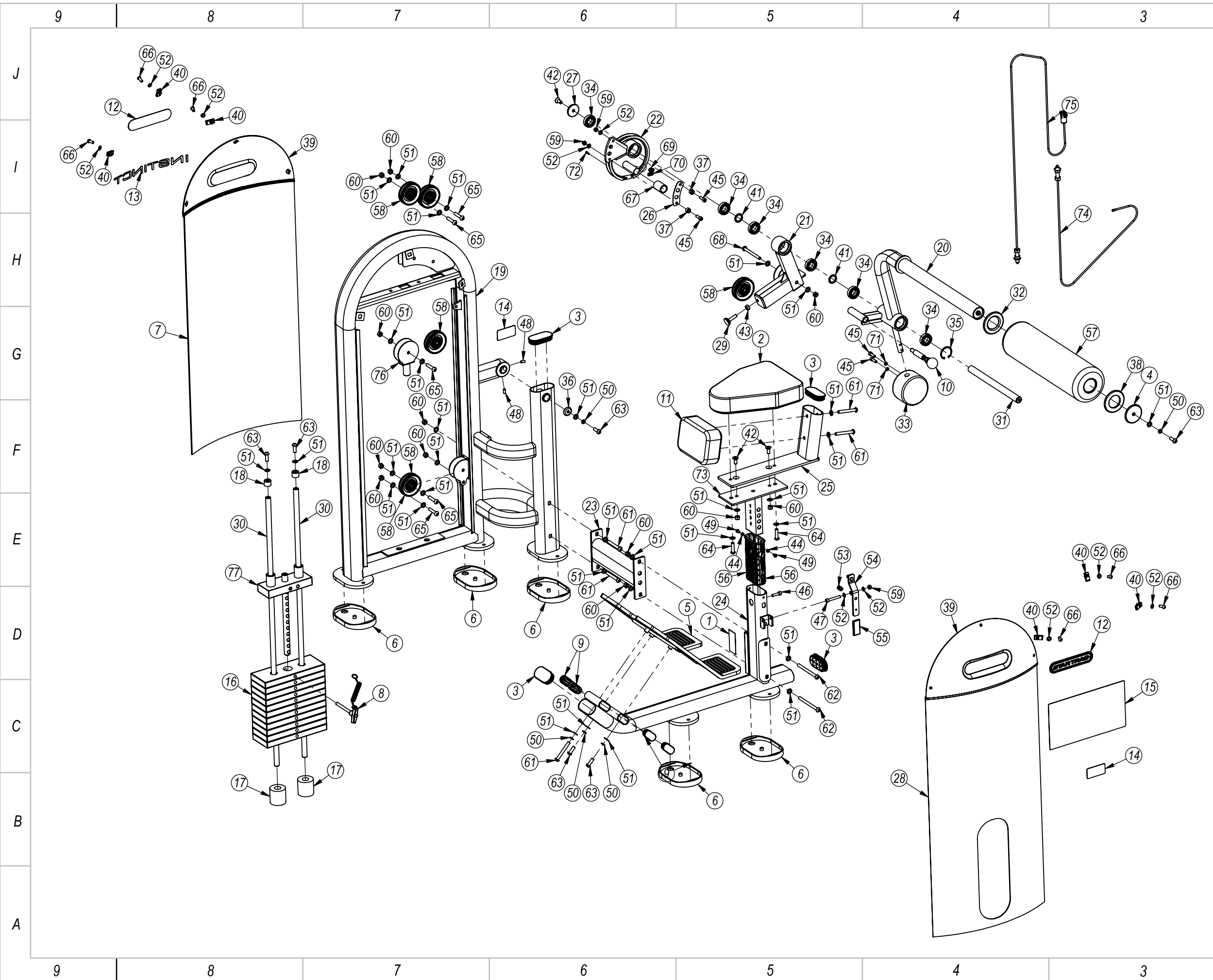
UNISEN, INC. DBA 14410 Myford Road
Irvine CA 92606

STAR TRAC


STARTRAC PART NO. **9IN-D6330-13BSS** REV **D**

TITLE **IN, DSS, ABS/LOW BACK**

SCALE: 1:10 | SHEET 1 OF 2 | SHEET SIZE: B



ITEM NO.	PART NUMBER	DESCRIPTION	QTY.
1	050-2125-02	LABEL, SERIAL NO, INSTINCT	1
2	730-0194	PAD, SEAT, IN-B7201	1
3	730-0199	CAP, FLAT, ELLIPSE TUBE, 100X50	4
4	730-0200	END CAP, KNEE PAD, 75X10.5	1
5	730-0207	BASE, FEET REST, IN-D7502	1
6	730-0216	PAD, FEET, BASE, IN-B7503	5
7	730-0233	SHROUD, REAR, WGT STK, LP	1
8	730-0235	ASSY, PIN WEIGHT STACK	1
9	730-0257	INSERT, OVAL, IN-D1015	4
10	730-0308	ASSY, SPING PIN LONG, IN-D6330	1
11	730-0309	UPHOLSTERY, BACK, PAD	1
12	730-0383	STICKER, STAR TRAC, DECO, 196X45MM	2
13	730-0384	LOGO, INSTINCT	1
14	730-0385	STICKER, CAUTION, PINCH POINT	2
15	730-0398	PLACARD, INSTRUCTION, IN-D6330	1
16	730-0552	WSB MAIN, (2 x WS3) + (WS7)	1
17	730-0562	BUMPER, STACK, 60mm	2
18	730-0565	CAP, RUBBER, ROD GUIDE WT STK	2
19	730-0647	WEIGHT STACK AND SUPPORT, FRAME	1
20	730-0648	ABS/LOW BACK, PIVOT, ARM	1
21	730-0649	PIVOT, PULLEY, ARM	1
22	730-0650	ROTARY CAM	1
23	730-0651	CONNECTING, SUPPORT, FRAME	1
24	730-0652	ASSY, MAIN FRAME	1
25	730-0654	FRAME, BACK PAD, SUPPORT, BRACKET	1
26	730-0655	ROM, STOPPER, IN-D6330	1
27	730-0656	CAP, 50MM OD	1
28	730-0658	SHROUD, ELONGATE, INNER	1
29	730-0660	BUMPER, LEVERAGE ARM, STOPPER	1
30	730-0662	WEIGHT STACK, GUIDE RAIL	2
31	730-0668	SHAFT, M25X338	1
32	730-0670	SPACER, M51, ID X90 OD	1
33	730-0671	LEVERAGE ARM, COUNTER BALANCE	1
34	730-0673	BEARING, OD 47, ID 25, THK 12	6
35	730-0674	RETAINING, SNAP, FOR HOLE DIA 47 MM	1
36	730-0678	CAP, 34MM OD	1
37	730-0679	STOPPER, OD 17MM, HGH 10.5MM	2
38	730-0681	PLUG, KNEE PAD, 90X51	1
39	730-0702	SHROUD, TOP, LP	2
40	730-0845	SPEED NUT, U-STYLE CLIP-ON NUT, M8	6
41	730-0869	RETAINING RING, 25MM ID, 32MM OD	2
42	730-0870	SCREW, M10X1.5, 25MM, FHMS, HE, SS	3
43	730-0883	NUT, M10, HEX, JAM, SS	1
44	730-0885	NUT, M6, JAM, HEX, SS	2
45	730-0890	SCREW, M8X1.25, 25MM, SHCS, HE, SS	4
46	730-0891	SCREW, M8X1.25, 30MM, SHCS, HE, SS	1
47	730-0892	SCREW, M8X1.25, 55MM, SHCS, HE, SS	1
48	730-0896	SCREW, M8X1.25, 16MM, SET, EPS, HE, SS	2
49	730-0899	SCREW, M6X1.0, 12MM, PHMS, SS	2
50	730-0907	WASHER, M10, SPLIT, LOCK	5
51	730-0908	WASHER, PLAIN, M10, SS	33
52	730-0910	WASHER, PLAIN, M8, SS	10
53	730-0911	SPING COMPRESSION, ADJ, HDL	1
54	730-0930	WELD HANDLE, EXTENSION, ADJ	1
55	730-0935	GRIP, SQUARE, ADJ HANDLE	1
56	730-0936	ASSY, TUBE, INSERT, SLEEVE	2
57	730-1055	PAD, KNEE, IN-S1011	1
58	730-1098	PULLEY ASSY, CABLE, DIA 89MM	5
59	730-1103	NUT, M18X1.25, NYLOC, SS	3
60	730-1104	NUT, M10X1.5, NYLOC, SS	12
61	730-1109	SCREW, M10X1.5, 80MM, BHC, HE, SS	5
62	730-1112	SCREW, M10X1.5, 130MM, BHC, HE, SS	2
63	730-1118	SCREW, M10X1.5, 30MM, BHC, HE, SS	6
64	730-1120	SCREW, M10x40, BH, SS	2
65	730-1131	SCREW, M10x50, BHC, SS	5
66	730-1138	SCREW, M8X1.25, 20MM, BHC, HE, SS	6
67	730-1216	BUMPER, SHAFT 25 ID 48 MM	1
68	730-1253	SCREW, M10X1.5X105, BHC, SS	1
69	730-1488-01	STICKER, ADJUST FUNCTION, INSTRUCTION	1
70	730-1488-02	STICKER, ADJUST FUNCTION, INSTRUCTION	1
71	730-2112	WASHER, M8, SPLIT, LOCK	2
72	730-2133	SCREW, M4X0.7, 15MM, SHCS, HE, SS	1
73	730-2148	WELDMENT, SEAT, ADJUSTMENT FRAME	1
74	730-2150	CABLE ASSY, IN-D6330, LOWER	1
75	730-2151	CABLE ASSY, IN-D6330, UPPER	1
76	730-2165	BRACKET, MOVING, PULLEY	1
77	730-2174	ASSY, TOP PLATE, 11H, IN-D6330	1

UNISEN, INC. DBA

 14410 Myford Road
 Irvine CA 92606

STARTRAC PART NO: **9IN-D6330-13BSS** | REV: **D**

TITLE: **IN, DSS, ABS/LOW BACK**

SCALE: 1:14 | SHEET 2 OF 2 | SHEET SIZE: B